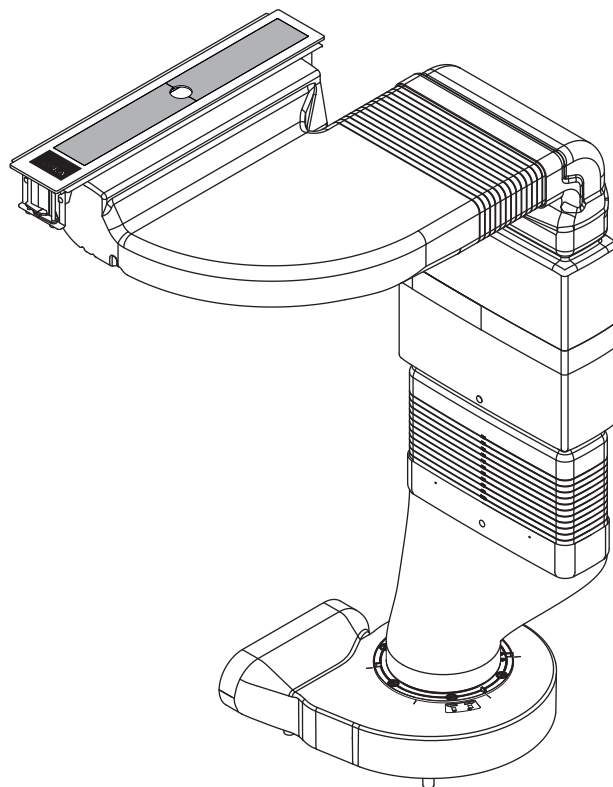


EN Operating and installation instructions CKASE

Cooktop extractor system



CKASEUMEN-003

Operating and installation instructions:

Original

Translation

Manufacturer

BORA Vertriebs GmbH & Co KG

Innstraße 1
6342 Niederndorf
Austria

Contact

T +43 (0) 5373 / 62250-0
mail@bora.com
www.bora.com

The distribution and duplication of this document, as well as the use and disclosure of its contents are prohibited unless expressly authorised.

These operating and installation instructions have been drawn up with the greatest of care. But it cannot be ruled out that subsequent technical modifications have not yet been incorporated or the relevant content has not yet been adapted. Please accept our apologies in this eventuality. An updated version can be requested from the BORA Service Team. Subject to printing errors and mistakes.

© BORA Vertriebs GmbH & Co KG

All rights reserved.

Table of Contents

1	General information	4	8	Cleaning and Maintenance	27
1.1	Target group.....	4	8.1	Cleaning agents	27
1.2	Validity of the operating and installation instructions...4		8.2	Cleaning the cooktop extractor.....	27
1.3	Other applicable documents	4	8.2.1	Removing the cover plates and the stainless steel grease filter.....	27
1.4	Presentation of information.....	5	8.2.2	Cleaning the cover plates and the stainless steel grease filter	27
2	Safety	6	8.2.3	Installing the cover plates and stainless steel grease filter	28
2.1	General safety instructions.....	6	8.3	Replacing the activated charcoal filter.....	28
2.2	Safety instructions – operation	7	9	Troubleshooting	29
2.3	Safety instructions – installation	8	10	Decommissioning, disassembly and disposal	30
2.4	Safety instructions – disassembly and disposal	8	10.1	Decommissioning.....	30
2.5	Safety instructions – spare parts	9	10.2	Disassembly	30
2.6	Intended use	9	10.3	Environmentally-friendly disposal.....	30
3	Technical data	10	11	Warranty, technical service, spare parts, accessories	31
4	Energy label	11	11.1	Warranty.....	31
5	Device description	12	11.2	Service.....	31
5.1	Structure	12	11.3	Replacement parts.....	31
5.2	Operating panel and operating principle.....	12	11.4	Accessories.....	31
5.3	Functional principle of the cooktop extractor.....	13			
5.3.1	Freely adjustable power control.....	13			
5.3.2	Automatic after-run.....	13			
5.3.3	Filter service display	13			
5.3.4	Interface communication.....	13			
5.3.5	Safety shut-down	13			
6	Installation	14			
6.1	Checking the scope of delivery	14			
6.2	Tool and aids.....	14			
6.3	Assembly instructions.....	14			
6.3.1	Safety clearances.....	14			
6.3.2	Work surface and kitchen units.....	14			
6.3.3	Cooktop air intake	15			
6.4	Cut-out dimensions.....	15			
6.5	Installing the extraction system	16			
6.5.1	Installing the cooktop extractor	17			
6.5.2	Preparing to install the substructure module, silence module and plinth fan	18			
6.5.3	Installation – standard set-up.....	20			
6.6	Establishing the power connection and communication	21			
6.7	Connecting external switch contacts	22			
6.8	Handover to user	24			
7	Operation	25			
7.1	Operating the cooktop extractor.....	25			
7.1.1	Opening the cover plates.....	25			
7.1.2	Adjusting the power level	25			
7.1.3	Automatic after-run	25			
7.2	Pay attention to the filter service display.....	26			
7.2.1	Closing the cover plates	26			

1 General information

1.1 Target group

These operating and installation instructions apply for the following target groups:

Target group	Requirements
User	The appliance can be used by children aged 8 and above as well as people with reduced physical, sensory or mental capacities or a lack of experience and/or knowledge if they are supervised or have been instructed how to safely use the appliance and understand the resultant risks. Children must be supervised. All safety and warning information and the handling instructions in the installation instructions must be complied with.
Ambitious DIYers	Ambitious DIYers can independently conduct all joinery and installation work providing they possess the necessary skills and expertise. They must never independently establish electricity and gas connections.
Installation specialists	Installation specialists are authorised to conduct all joinery and installation work in line with existing regulations. The electricity and gas connections must be certified by a certified engineer for the applicable trade prior to commissioning.
Electricians	The electrical connection may only be established by a certified engineer. He/she also assumes responsibility for the proper electrical installation and commissioning.
Gas specialists	The gas connection may only be established by certified engineers. They also assume responsibility for proper installation and commissioning of the gas system.

Tab. 1.1 Target groups

INFO BORA Holding GmbH, BORA Vertriebs GmbH & Co KG, BORA APAC Pty Ltd and BORA Lüftungstechnik GmbH - hereinafter referred to as BORA - do not assume any liability for damage arising from non-adherence to these documents and from improper assembly! The electricity and gas connections must be made by a qualified specialist. Installation must comply with the valid standards, regulations and laws. All safety and warning information and the operating and installation instructions must be complied with.

1.2 Validity of the operating and installation instructions

These instructions apply to several device versions. It is therefore possible that some of the features described do not apply to your appliance.

1.3 Other applicable documents

These operating and installation instructions are valid in conjunction with other documents, which must be adhered to.

Please be sure to adhere to all documents that form part of the scope of delivery.

INFO BORA accepts no liability for damage caused by failure to comply with these documents!

Directives

This device meets the following EU/EC directives:

2014/30/EU EMC Directive

2014/35/EU Low Voltage Directive

2009/125/EC Ecodesign Directive

2010/30/EU Energy Consumption Label Directive

2011/65/EU RoHS Directive

2012/19/EU WEEE Directive

1.4 Presentation of information

To make working with these instructions quick and easy, consistent formatting, numbering, symbols, safety instructions, terms and abbreviations are used throughout.

Handling instructions are marked with an arrow.

- ▶ Always carry out handling instructions in the sequence shown.

Bullet points are indicated by a square bullet point at the edge of the line.

- Bullet point 1
- Bullet point 2

INFO Information points out specific points you must always comply with.

Safety and warning information

The safety and warning information in these instructions are highlighted with symbols and signal words.

Safety and warning information is structured as follows:

WARNING SYMBOL AND SIGNAL WORD!




Type and source of the danger

Consequences of non-compliance

- ▶ Measures to minimise risk
-

The following applies:

- The warning symbol draws attention to the danger.
- The signal word indicates the severity of the risk.

Warning sign	Signal word	Hazard
	Danger	Indicates an imminent hazardous situation which could lead to death or serious injury if ignored.
	Warning	Indicates an imminent hazardous situation which could lead to death or serious injury if ignored.
	Caution	Indicates a potentially hazardous situation which could lead to slight or minor injuries if ignored.
–	Caution	Indicates a situation which could result in material damage if ignored.

Tab. 1.2 Meaning of warning symbols and signal words

2 Safety

2.1 General safety instructions

INFO The appliance complies with the stipulated safety requirements. The user is responsible for appliance cleaning and maintenance as well as its safe use. Improper use can lead to personal injury and damage to property.

- The operating and installation instructions contain important information about installation and operation. These enable you to protect yourself against injuries and prevent damage to the appliance. Contact details for further information as well as application and usage questions can be found on the back of these operating and installation instructions.
- The term device applies to cooktops, cooktop extractors and cooktops with cooktops extractors.
- ▶ Read the operating and installation instructions fully before using the appliance for the first time.
- ▶ Always store the operating and installation instructions within easy reach so that they can be accessed if required.
- ▶ Pass the operating and installation instructions to the next owner if you sell the appliance.
- ▶ Conduct all work extremely attentively and conscientiously.
- ▶ Check the appliance for visible damage when unpacking it.
- ▶ Do not connect a damaged appliance.
- ▶ Only use the appliance once all installation activities are complete. This is the only way to ensure safe operation.
- ▶ Make sure that hot hobs are not touched.
- ▶ Avoid boiling over.
- ▶ Only operate the cooktop extractor with BORA cooktops. This particularly applies to use with BORA gas cooktops.
- ▶ Switch the device off after use.
- ▶ Keep pets away from the appliance.

Recirculation mode

INFO When cooking, additional moisture is released into the ambient air.

INFO In recirculation mode, only a slight amount of moisture is removed from the cooking vapour.

- ▶ When using recirculation mode, ensure a sufficient supply of fresh air, e.g. by opening a window.
- ▶ Ensure a normal and comfortable room climate (humidity of 45–60%), e.g. by opening natural ventilation openings or using domestic ventilation systems.
- ▶ After every use in recirculation mode, switch the cooktop extractor to a low level for about 20 minutes or activate the automatic after-run function.

Households with children and people with special needs

- ▶ The appliance can be used by children aged 8 and above as well as people with reduced physical, sensory or mental capacities or a lack of experience and/or knowledge if they are supervised or have been instructed how to safely use the appliance and understand the resultant risks.
- ▶ Supervise children in the vicinity of the appliance.
- ▶ Children must not play with the appliance.
- ▶ Do not store any items that could be of interest to children in storage spaces above or behind the appliance. Children will otherwise be encouraged to climb on the appliance.

Unauthorised modifications

Unauthorised modifications can cause the appliance to pose risks.

- ▶ Do not conduct any modifications to the appliance.

Cleaning and maintenance

The device must be cleaned regularly. Dirt can lead to damage or the buildup of odours. Remove any dirt immediately.

- Cleaning and maintenance work must not be carried out by children unless they are supervised at all times.

- ▶ Do not use steam cleaners. The steam can cause a short-circuit on live parts and cause damage to property (see Cleaning and maintenance section).
- ▶ Make sure no water penetrates inside the device when cleaning. Only use a slightly damp cloth. Never spray water on the device. Water ingress can cause damage!

2.2 Safety instructions – operation

Cooktop extractor



DANGER!

Risk of smoke inhalation!

Using a fireplace that depends on the air in the room produces combustion gases.

If the cooktop extractor is used in conjunction with a fireplace that depends on the air in the room, toxic combustion gases (carbon monoxide) can be extracted from the chimney or outlet duct into the living area.

- ▶ Make sure that there is always a sufficient air supply.



DANGER!

Fire risk from flambéing!

While the cooktop extractor is working, it sucks up grease from cooking. Flambéing food can cause the grease to catch fire.

- ▶ Clean the cooktop extractor regularly.
- ▶ Never work with a naked flame while the cooktop extractor is running.



DANGER!

Fire risk from fat deposits!

If the stainless steel grease filter is not cleaned regularly, this can lead to increased levels of grease in it. This increases the fire risk.

- ▶ Clean and replace the filter at regular intervals.



WARNING!

Risk of injury due to moving fan wheel!

There is a risk of injury if the fan wheel turns.

- ▶ Only install the device with the power disconnected.
- ▶ Connect both sides of the fan to the duct system before commissioning.
- ▶ Ensure that the inlet nozzle is locked before the device is commissioned for the first time.

CAUTION!

Risk of injury from moving cover flap!

There is a risk of injury when the electric cover flap moves.

- ▶ Do not put your hands inside the cooktop extractor while the cover flap is moving.



CAUTION!

Touchable parts may become hot!

The cooktop extractor and its touchable parts are hot when the cooking zone is switched on and during the cooling phase.

- ▶ Do not place any items on the cooktop.
- ▶ Please use suitable tools (pot holders, oven gloves).

CAUTION!

Damage caused by objects or paper suctioned in!

Small and light items, such as cleaning cloths made from material or paper, can be suctioned into the cooktop extractor. This can damage the fan or impair the exhaust performance.

- ▶ Do not store any items or paper on the cooktop extractor.

CAUTION!

Damage caused by grease and dirt deposits!

Grease and dirt deposits can stop the cooktop extractor from functioning properly.

- ▶ Never use the cooktop extractor without a stainless steel grease filter.

2.3 Safety instructions – installation

The device must only be installed and assembled by trained specialists who are familiar with and comply with the standard national regulations and supplementary regulations of the local utility companies.

Work on electrical components must be conducted by trained electrical personnel.

The electrical safety of the appliance is only guaranteed if it is connected to a protective conductor system that has been installed in line with regulations. Ensure that this basic safety precaution is met.

Cooktop extractor



DANGER! Risk of poisoning from combustion gases!

If the cooktop extractor is used in exhaust mode, it draws in air from the room in which it is installed as well as from neighbouring rooms. If there is insufficient air supply, low pressure will occur. Toxic gases could be drawn out of the fireplace that depends on the air in the room or extraction ducting and back into the room.

- ▶ Make sure that there is always a sufficient air supply.
- ▶ Only use approved and tested switchgear (e.g. window contact switch, low-pressure monitor) and have them approved by authorised specialists (certified chimney-sweep).



DANGER! Risk of electric shock!

The control unit can contain residual charge and cause an electric shock.

- ▶ Never touch exposed contacts on the control unit.



DANGER! Risk of electric shock!

Incorrect stripping of the connection cable to external switching devices results in a risk of electric shock.

- ▶ Ensure that the connection cable is secured with the strain relief clamp within the universal control unit.
- ▶ Ensure that the stated stripping lengths are adhered to.

- ▶ Check the appliance for visible damage before installing it.
- ▶ Do not install damaged devices.
 - A damaged device is a hazard.
 - Repair work must only be carried out by specialists authorised by the manufacturer.

2.4 Safety instructions – disassembly and disposal

The device must only be disassembled by trained specialists who are familiar with and comply with the standard national regulations and supplementary regulations of the local utility companies.

Work on electrical components must only be conducted by trained electrical personnel.



DANGER! Risk of electric shock!

Incorrectly disconnecting the appliance from the mains results in a risk of electric shock.

- ▶ Securely disconnect the appliance from the mains using LS switches, fuses, automatic circuit breakers or contactors.
- ▶ Use an authorised measuring device to ensure that there is no power to the appliance.



DANGER! Risk of asphyxiation!

Packaging components (e.g. film, polystyrene) can be life-threatening for children.

- ▶ Store all packaging components out of reach of children.
- ▶ Dispose of the packaging properly and immediately.

2.5 Safety instructions – spare parts



WARNING!

Risk of injury and damage to property!

Incorrect components can lead to personal injury or damage to the appliance. Modifications, additions or alterations to the appliance can lead to safety risks.

- ▶ Only use original spare parts for repairs.
-

2.6 Intended use

The device cannot be used at altitudes above 2000 m (metres above sea level).

The device is designed exclusively for the preparation of food in private households. This appliance is not intended for:

- Outdoor use
- Installation in vehicles
- Heating rooms
- Use in non-stationary installation sites (e.g. on ships)
- Use with an external timer or a separate remote control system (remote operation)

Any use other than that specified in these operating and installation instructions or any use that goes beyond that which is described here is classed as unintended. BORA does not assume any liability for damages caused by improper use or incorrect operation.

All misuse is prohibited!

INFO BORA Holding GmbH, BORA Vertriebs GmbH & Co KG, BORA APAC Pty Ltd and BORA Lüftungstechnik GmbH do not assume any liability for damage arising from non-adherence to the safety and warning information.

3 Technical data

Parameter	Value
Supply voltage	220 - 240 V
Frequency	50/60 Hz
Power consumption	170 W
Dimensions (width x depth x height)	90 x 515 x 140 mm
Weight (incl. accessories/packaging)	11.0 kg
Extractor	
Power levels	1 - 5
Plinth fan	
Maximum flow volume	608.8 m ³ /h
Maximum pressure	597 Pa
Dimensions (width x depth x height)	370 x 358 x 100 mm
Exhaust opening dimensions (width x depth x height)	222 x 40 x 89 mm
Duct system	
Total height adjustable from - to	900 - 1050 mm
Total depth adjustable from - to	560 - 710 mm

Tab. 3.1 Technical data

Device dimensions

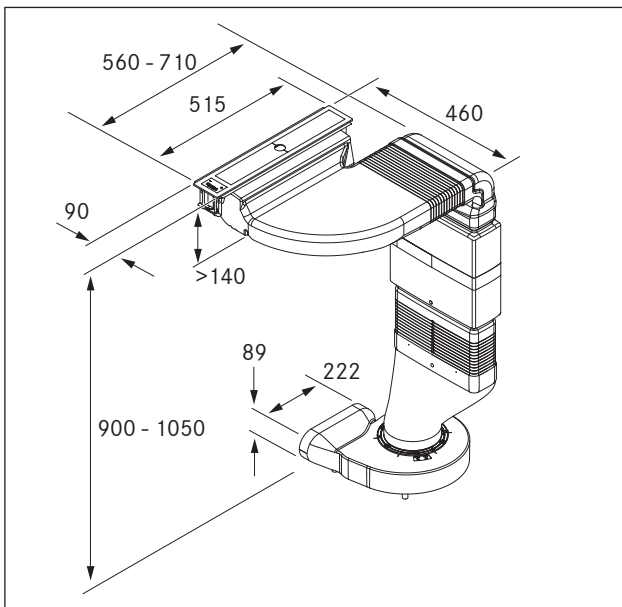


Fig. 3.1 Device dimensions

4 Energy label

Product description		
Classic cooktop extractor system with ULS plinth fan	CKASE	
Operating mode	Exhaust air	
Energy consumption	Value	EN standard
Annual energy consumption (AEC_{hood})	24 kWh/a	61591
Energy efficiency class	A++	61591
Flow volume		
Fluid dynamic efficiency (FDE_{hood})	38.4	61591
Fluid dynamic efficiency class	A	61591
Lighting		
Lighting efficiency (LE_{hood})	* lx/Watt	*
Lighting efficiency class	*	*
Grease filtering		
Level 5 maximum (GFE_{hood})	47%	61591
Class level 5 normal	F	61591
Flow volume		
Air flow level 1 minimum	224 m ³ /h	61591
Air flow level 5 maximum (Q_{max})	609 m ³ /h	61591
Sound power level		
Level 1 minimum	46 dB(A)	60704-2-13
Level 5 maximum	67 dB(A)	60704-2-13
Sound pressure level (additional details)		
Level 1 minimum	33 dB(A)	**
Level 5 maximum	55 dB(A)	**
Details according to 66/2014		
Power consumption in off mode (P_o)	< 0.5 W	61591
Time increase factor	0.6	61591
Energy efficiency index (EEl_{hood})	31.7	61591
Air flow rate at the best efficiency point (Q_{BEP})	280.8 m ³ /h	61591
Pressure at the best efficiency point (P_{BEP})	536 Pa	61591
Electric power input at the best efficiency point (W_{BEP})	109 W	61591

Tab. 4.1 Energy label information

* This specification is not applicable for this product.

** The sound pressure level has been determined from a distance of 1 m (distance-dependent level recording) on the basis of the sound power level established in EN 60704-2-13.

5 Device description

Observe all safety and warning information during operation (see the Safety section).

The cooktop extractor system has the following features:

- Touch-operated power control
- Electronic power control (5 power levels)
- Automatic after-run
- Filter service display
- Interface communication
- Safety shut-down
- Integrated silencer (silence module)
- Rubberised device feet

Depending on the model you purchased, the cooktop extractor system can be operated as an exhaust air or an recirculating air version.



Exhaust mode

The air extracted from the cooktop is cleaned by the stainless steel grease filter and released outside through a duct system.

The exhaust air must not be expelled into:

- a smoke or exhaust gas flue that is in operation
- a shaft used for the aeration of rooms where fireplaces are installed.

If the exhaust air is to be directed into a smoke or exhaust gas flue that is not in use, the installation must be checked and approved by the responsible heating engineer.



Recirculation mode

The air suctioned away by the cooktop is purified by the grease filter and an activated charcoal filter and fed back into the room in which the appliance is installed.

An activated charcoal filter must be used to prevent odours in recirculation mode. For hygiene and health reasons, the activated charcoal filter must be replaced at the recommended intervals (see the Cleaning and maintenance section).

INFO In recirculation mode, ensure sufficient ventilation and aeration to discharge humidity.

5.1 Structure

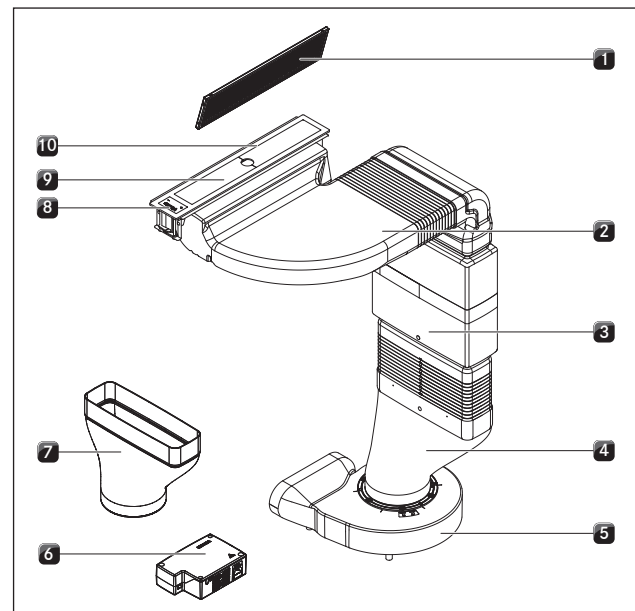


Fig. 5.1 Cooktop extractor system

- [1] Stainless steel grease filter
- [2] Substructure module
- [3] Silence module
- [4] Curved transition piece
- [5] Universal plinth fan
- [6] Classic control unit
- [7] Straight transition piece (optional)
- [8] Touchscreen operating panel with fan display
- [9] Cooktop extractor cover plate
- [10] Cooktop extractor frame
- [11] Protective grid (not shown)

5.2 Operating panel and operating principle

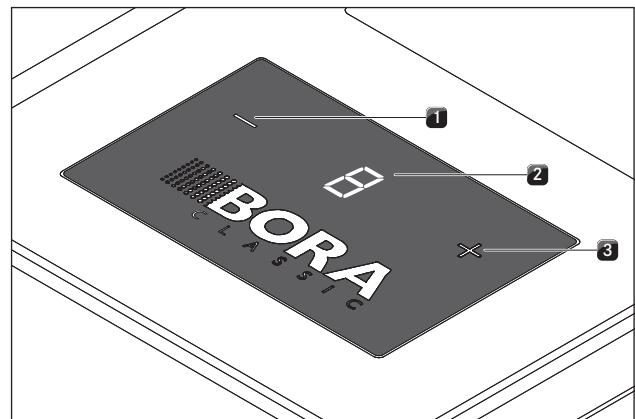



Fig. 5.2 Touchscreen operating panel with fan display

- [1] Minus button
- [2] Fan display
- [3] Plus button

Unit	Display	Meaning
Fan display		Fan off
	1-5	Power levels
	E	Interface display
	F	Filter service display
	n	Automatic after-run

Tab. 5.1 Display meanings



Touch control

The operating panel is fitted with electronic sensor buttons and display panels. The sensor buttons respond to finger contact.

The device is operated by touching the corresponding sensor button with your finger. Keep your finger pressed on the sensor button until the display changes as desired.

5.3 Functional principle of the cooktop extractor

5.3.1 Freely adjustable power control

The power levels are controlled using the  and  buttons on the touchscreen operating panel.

5.3.2 Automatic after-run

The cooktop extractor continues to run at a lower level *n* and switches off automatically after 20 minutes.

5.3.3 Filter service display

The filter service display becomes active after the cooktop extractor has operated for 200 hours. The activated charcoal filter has reached the end of its service life (with recirculation only) and the stainless steel grease filter needs to be thoroughly cleaned.

- A flashing *F* is displayed in the filter service display.
- The display goes out as soon as a power level has been selected.
- The filter service display is shown every time the cooktop extractor is switched on and remains active until the filter has been changed and the filter service display has been reset (see the Operation section).
- The cooktop extractor can still be operated without limitations.

5.3.4 Interface communication

The internal interface can be used for extended control options. This has a Home-In and a Home-Out contact (see the Installation section).

- The Home-In contact can be used for the incoming signal from external switch devices (e.g. window contact switch).
- The Home-Out contact can be used to control external installations.

5.3.5 Safety shut-down

The cooktop extractor switches off automatically if no buttons are pressed for 120 minutes.

6 Installation

- ▶ Observe all safety and warning information (see the Safety section).

INFO The device must not be installed above cooling devices, dishwashers, stoves, ovens, washing machines or dryers.

INFO The contact surfaces of the worktops and wall sealing strips must be made of a heat-resistant material (up to approx. 100 °C).

INFO Worktop cut-outs must be moisture-sealed using suitable means or, where necessary, fitted with a thermal insulator.

6.1 Checking the scope of delivery

Name	Quantity
Cover plates	2
Operating and installation instructions	1
Sealing tape for the cooktop extractor	1
Stainless steel grease filter	1
Height adjustment plate set	1
Cooktop extractor frame	1
CAT 5 communication cable	1
Lenshead screws	4
Power supply cable	1
Protective grid	1
Silence module	1
UDB Universal sealing tape	1
ULS Universal plinth fan	1
CSEE Classic control unit	1
Substructure module	1
Curved transition piece	1
Straight transition piece	1

Tab. 6.1 Scope of delivery

- ▶ Check the scope of delivery for damage and make sure Tab. 6.1 complete (see tab. 6.1).
- ▶ If there are any missing or damaged parts, please notify BORA After Sales Service.
- ▶ Do not under any circumstances install parts which are damaged.
- ▶ Dispose of transport packaging in the proper manner (see the Decommissioning, disassembly and disposal section).

6.2 Tool and aids

The following tools are required to correctly install the cooktop extractor:

- Pencil
- Tape measure
- Phillips screwdriver Z2
- Black, heat-resistant silicone sealant
- Fine saw

6.3 Assembly instructions

6.3.1 Safety clearances

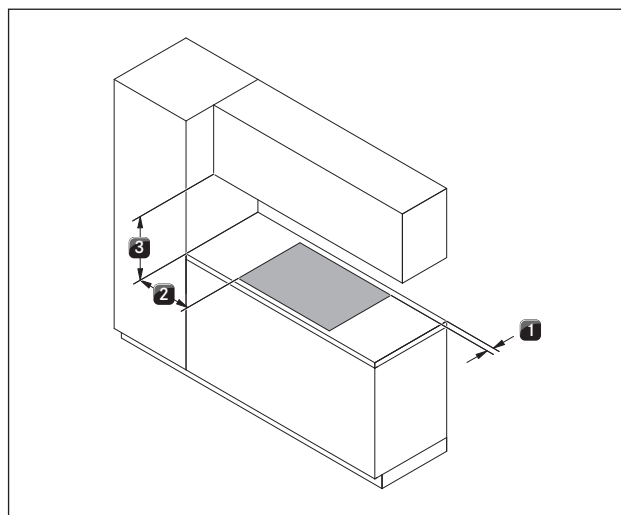


Fig. 6.1 Recommended minimum clearances

- ▶ Maintain the following safety clearances:

- [1] Rear minimum clearance of 50 mm between the worktop cut-out and the rear corner of the worktop.
- [2] Minimum clearance of 50 mm from the left and right of the worktop cut-out to the adjacent cabinet or wall. For ergonomic reasons and to ensure efficient cooktop extraction, a minimum clearance of 300 mm is recommended.
- [3] Minimum clearance of 600 mm between the worktop and the wall unit. A minimum clearance of 1000 mm is recommended for ergonomic reasons.

6.3.2 Work surface and kitchen units

- ▶ Create the worktop cut-out taking the specified cut-out dimensions into account.
- ▶ Make sure that the cutting surfaces of the worktops are properly sealed.
- ▶ Observe the instructions provided by the worktop manufacturer.
- Cross bars on the unit in the area of the worktop cut-out may need to be removed.
- Cable protection (false floor) should be mounted below the appliances. This needs to be removable for maintenance work.
- The drawers and/or shelves in the floor unit must be removable.

- A return flow aperture > 500 cm² is required in the kitchen units for recirculation appliances (e.g. by shortening the plinth boards or using suitable slatted plinths).

6.3.3 Cooktop air intake

The components in the cooktop which generate heat are automatically cooled. The warm air is extracted by fans (cold air flow).

INFO In order to retain the full functionality of the cooktop in the long term, there must be sufficient ventilation underneath the cooktop.

INFO The performance of the cooktop is impaired or the cooktop overheats if the warm air below the cooktop cannot escape.

INFO If the cooktop overheats, performance is reduced or the cooktop switches off completely (see Overheating protection).

INFO For sufficient air intake, an opening cross-section in the kitchen units of at least 50 cm² is recommended.

- ▶ Ensure there is sufficient ventilation underneath the cooktop.

INFO The cable protection (false floor) must not prevent sufficient ventilation.

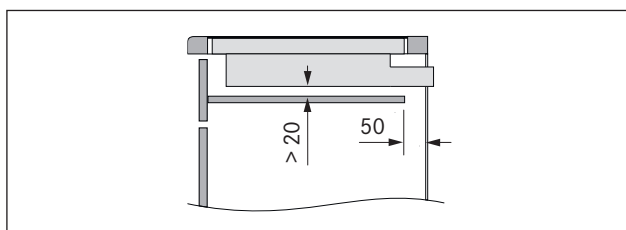


Fig. 6.2 Side view of the cable protection and ventilation

6.4 Cut-out dimensions

INFO All dimensions from the front edge of the front cover.

- ▶ Please note the worktop overhang x when creating the worktop cut-out. Applies to flush installation and surface mounting.

Flush installation

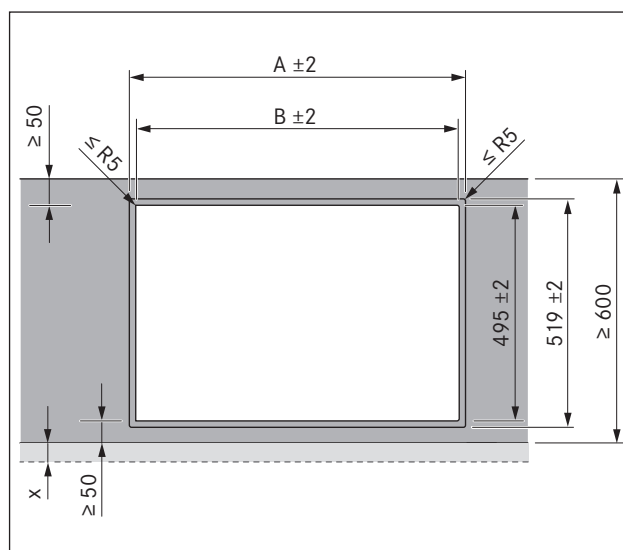


Fig. 6.3 Flush installation

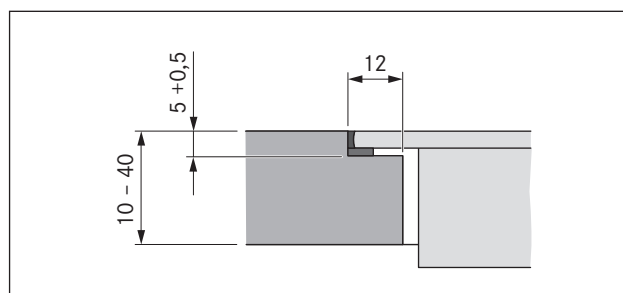








Fig. 6.4 Groove dimensions cut-out

Cut-out dimensions when installing cooktops only or cooktops and the BORA cooktop extractor alongside each other:

Cooktops/cooktop extractor	A in mm	B in mm	
	1/0	344	320
	2/0	685	661
	3/0	1026	1002
	2/1	776	752
	3/2	1208	1184
	4/2	1549	1525

Tab. 6.2 Cut-out dimensions

INFO If the induction glass ceramic wok is used, the groove dimensions must be increased to 7 mm for flush installation.

Surface mounting

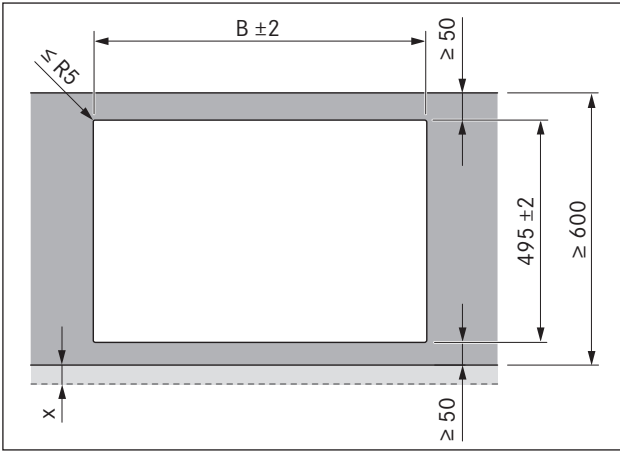


Fig. 6.5 Surface mounting

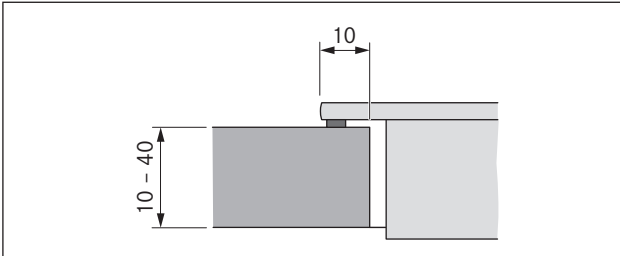


Fig. 6.6 Surface mounting cut-out

Cut-out dimensions when installing cooktops only or cooktops and the BORA cooktop extractor alongside each other:

Cooktops/cooktop extractor		B in mm
	1/0	320
	2/0	661
	3/0	1002
	2/1	752
	3/2	1184
	4/2	1525

Tab. 6.3 Cut-out dimensions

Attaching the sealing tape

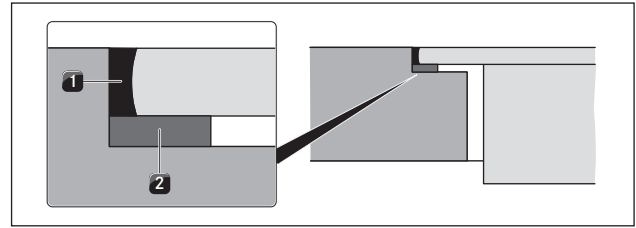


Fig. 6.7 Sealing tape with flush installation

- [1] Black, heat-resistant silicone sealant
- [2] Sealing tape

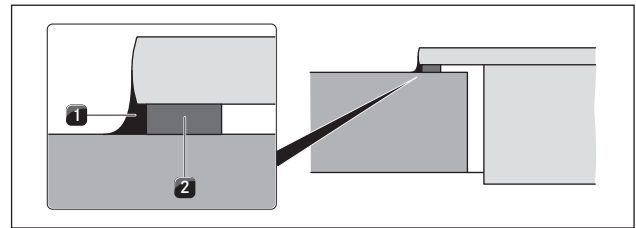


Fig. 6.8 Sealing tape with surface mounting

- [1] Black, heat-resistant silicone sealant
- [2] Sealing tape

- ▶ With surface mounting, attach the enclosed sealing tape [2] to the underside of the device before installing it. Do not leave any gaps.
- ▶ With flush installation, attach the enclosed sealing tape to the horizontal cutting edge in the worktop cut-out, even if you seal the cooktop with a silicone sealant [1] or similar.
- ▶ Stick the supplied nameplate (adhesive label) to the back of your operating and installation instructions.

6.5 Installing the extraction system

INFO Clearance of one millimetre should be planned between the built-in appliances.

INFO A clearance of two millimetres should be planned around the built-in appliances.

Installation dimensions

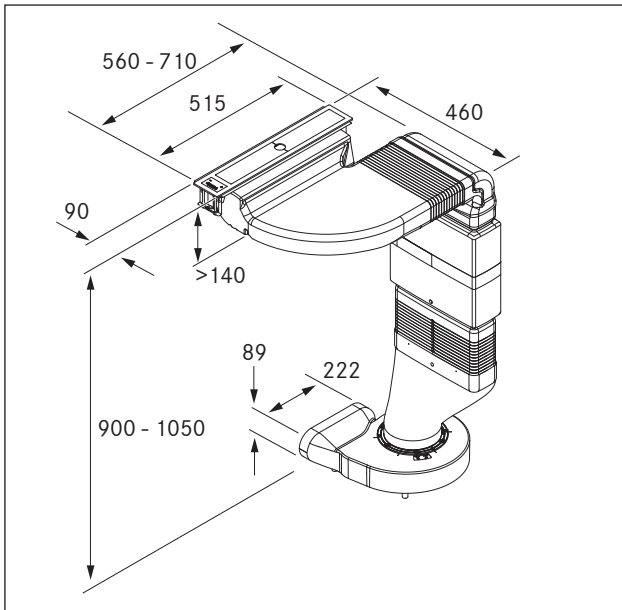


Fig. 6.9 Device dimensions with curved transition piece

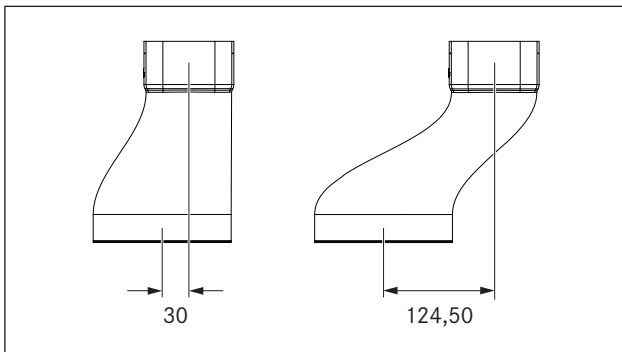


Fig. 6.10 Offset with transition pieces

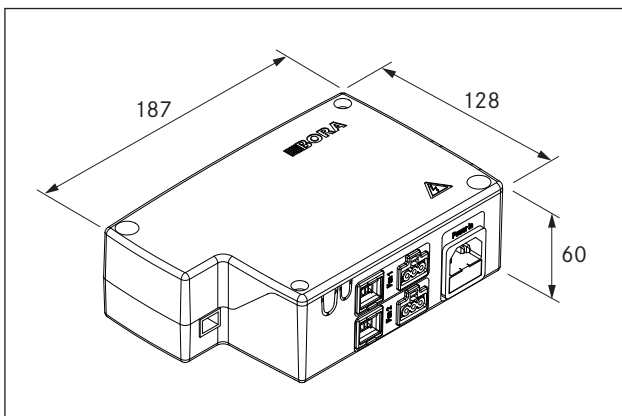


Fig. 6.11 Control unit installation dimensions

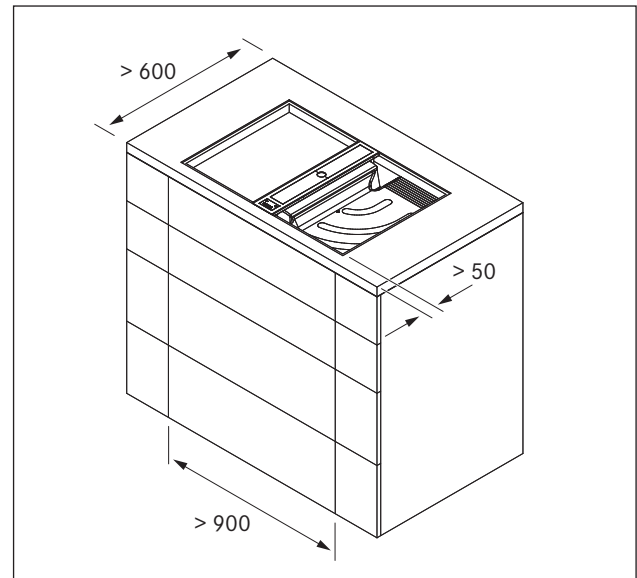


Fig. 6.12 Device installation dimensions

6.5.1 Installing the cooktop extractor

Preparing the cooktop extractor frame for installation in conjunction with the induction glass ceramic wok

INFO To install the induction glass ceramic wok, the rail on the left hand side of the cooktop extractor frame must be removed due to the 6 mm thick glass ceramic.

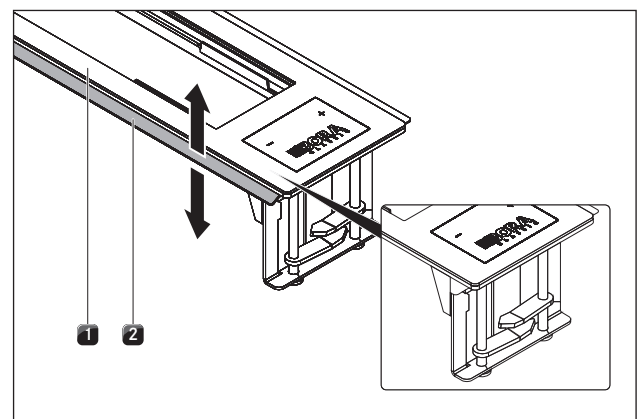


Fig. 6.13 Preparing the cooktop extractor frame

- [1] Cooktop extractor frame
- [2] Left hand side rail

► Use a pair of pliers to remove the rail from the left hand side of the cooktop extractor frame by carefully bending it up and down.

Installing the cooktop extractor frame

INFO The cooktop extractor's substructure module can only be installed sloping down to the right.

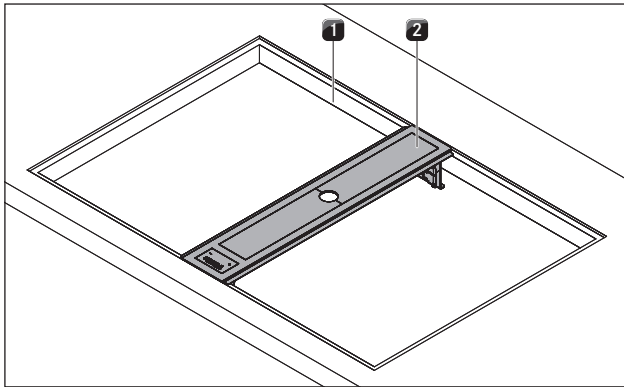


Fig. 6.14 Installing the cooktop extractor

- [1] Cooktop cut-out
- [2] Cooktop extractor frame

- ▶ Insert the cooktop extractor frame [2] in the middle of the relevant worktop cut-out.
- ▶ Precisely position the cooktop extractor.

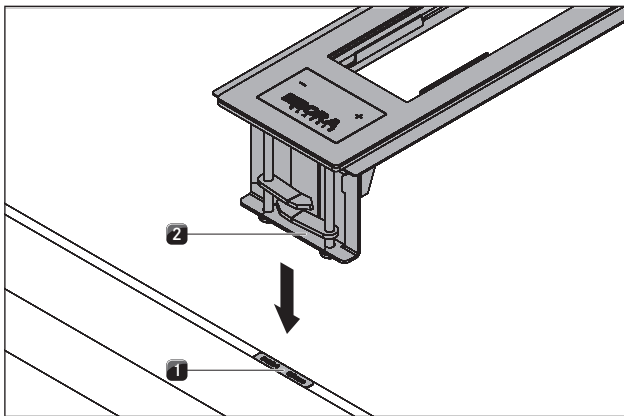


Fig. 6.15 Height adjustment plates

- [1] Height adjustment plate
- [2] Cooktop extractor frame

- ▶ If applicable, insert the height adjustment plates [1].

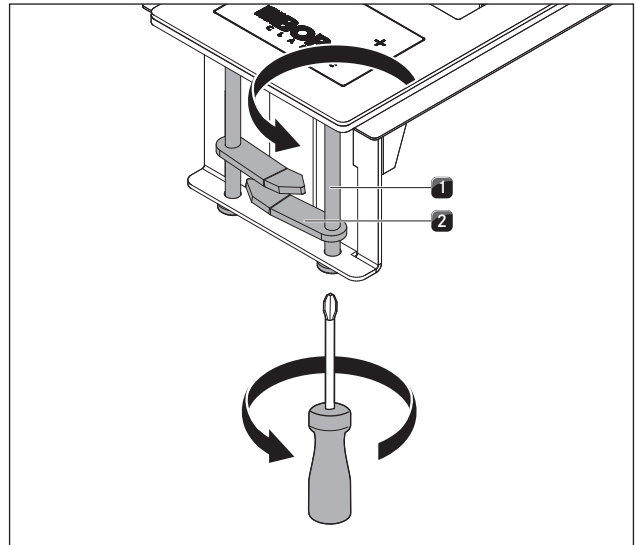


Fig. 6.16 Securing the cooktop extractor

- [1] Tensioning screw
- [2] Clamp

- ▶ Turn the four clamps [2] under the worktop.
- ▶ Tighten the clamp screws [1] with max. 10 Nm.
- ▶ Check that the cooktop extractor frame is positioned correctly.
- ▶ Once all of the installation work is complete, seal the devices with black, heat-resistant silicone sealant.

6.5.2 Preparing to install the substructure module, silence module and plinth fan

INFO The floor unit must not be supported on the plinth fan housing.

INFO For correct installation, the slide-in units of the base cabinet must be shortened depending on the installation situation.

INFO The plinth fan must only be installed horizontally.

- ▶ Now adapt the cooktop extractor system to the worktop height by shortening the silence module at the cut marks using a fine saw.

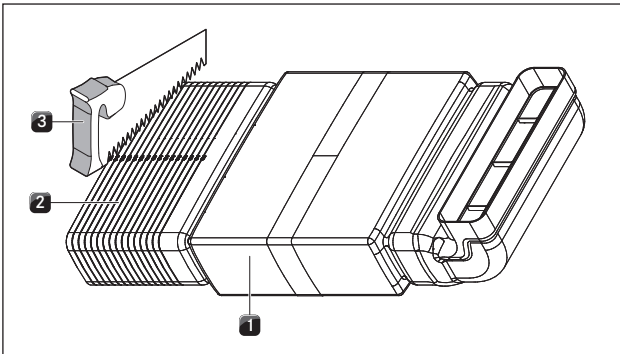


Fig. 6.17 Shortening the silence module

- [1] Silence module
- [2] Cut marks
- [3] Fine saw

► Now place the (curved or straight) transition piece and the silence module together on the plinth fan.

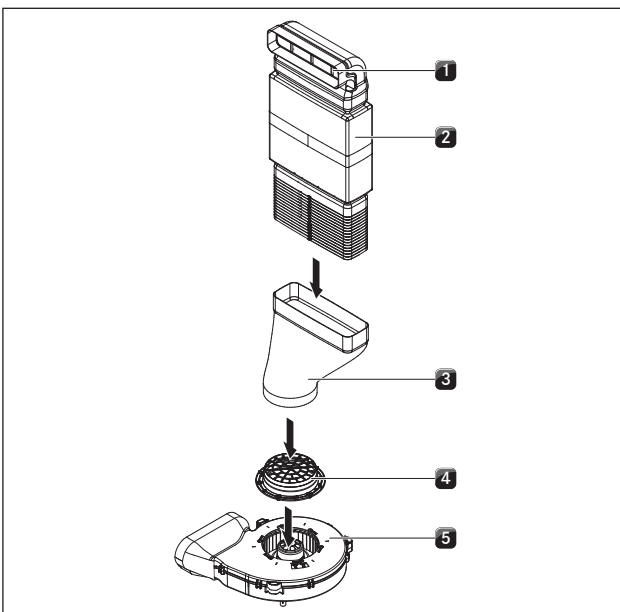


Fig. 6.18 Assembly

- [1] Protective grid
- [2] Silence module
- [3] Transition piece (curved or straight)
- [4] Universal plinth fan inlet nozzle
- [5] Universal plinth fan

- Saw out the necessary cut-outs for the ducting in the rear panel of the floor unit.
- Depending on the installation situation, adjust the levelling feet on the floor unit as necessary.
- Now adapt the substructure module to the available depth of the worktop by shortening the substructure module at the cut marks using a fine saw.

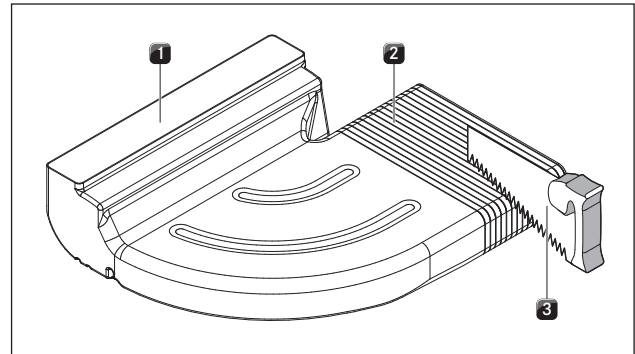


Fig. 6.19 Shortening the substructure module

- [1] Substructure module
- [2] Cut marks
- [3] Fine saw

- Prepare the plinth fan by attaching the sealing tape depending on the installation situation.
- Secure the sealing tape to the inlet nozzle.

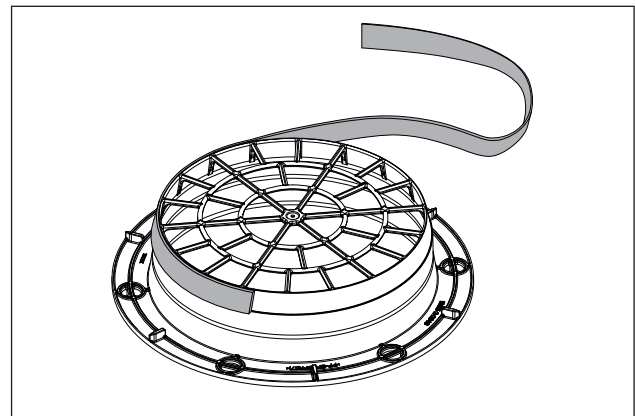


Fig. 6.20 Sealing tape position for installation with a round duct

- Secure the sealing tape on the outlet nozzle.

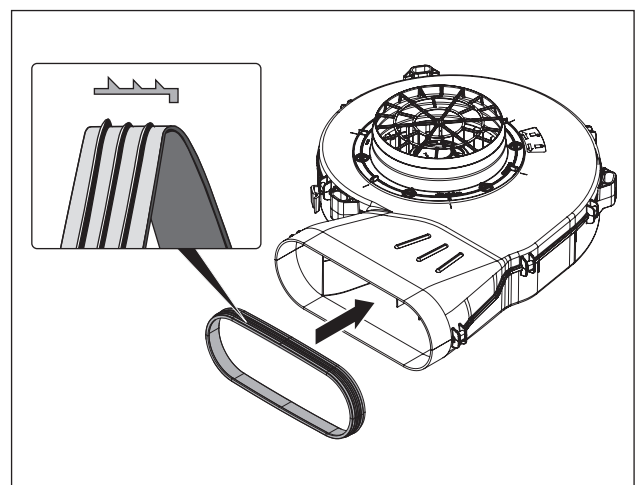


Fig. 6.21 Sealing tape position for installation with a transition piece (shallow duct)

INFO When attaching the sealing tape, ensure that an airtight seal with the connection duct piece is created when the tape is compressed.

6.5.3 Installation – standard set-up

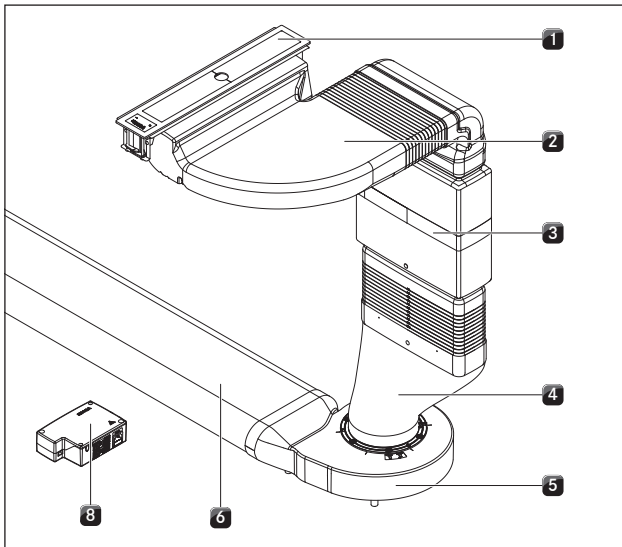


Fig. 6.22 Standard set-up

- [1] Cooktop extractor
- [2] Substructure module
- [3] Silence module
- [4] Transition piece (curved or straight)
- [5] Universal plinth fan
- [6] Air duct or recirculation unit
- [7] Protective grid (not visible)
- [8] Control unit

- ▶ Position the plinth fan [5].
- To facilitate positioning, the inlet nozzle on the plinth fan can be removed. To do this, please see the assembly instructions for the ULS universal plinth fan.
- ▶ Push the transition piece [4] onto the inlet nozzle of the plinth fan [5].
- You can also use the sealing tape provided (UDB) to adhere the connections together.
- ▶ Push the silence module [3] onto the transition piece [4].
- ▶ Tape the transition piece [4] to the silence module [3].

INFO To secure the silence module, this must be screwed to the transition piece to relieve the strain on the substructure module.

- ▶ Now screw together the silence module [3] and the transition piece [4].
- ▶ Insert the protective grid [7] into the upper opening on the silence module [3].

- ▶ Push the substructure module [2] into the silence module [3].

INFO Never place strain on the cooktop extractor frame when installing the substructure module. This will deform the cooktop extractor frame.

- ▶ Connect the substructure module [2] to the cooktop extractor frame [1] by carefully pressing the substructure module [2] upwards into the relevant cooktop extractor frame brackets [1]. The module should audibly click into place on each of the long sides of the extractor frame to indicate that it has been correctly connected.

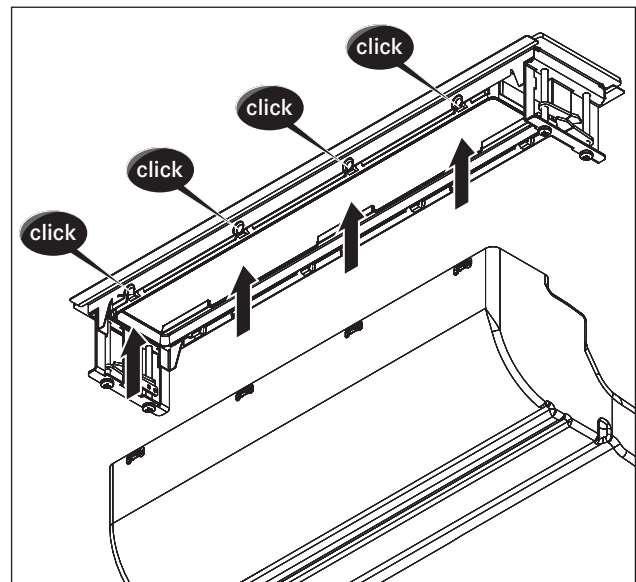


Fig. 6.23 Attaching the substructure module

- ▶ Use the sealing tape (UDB) provided to adhere the substructure module [2] to the silence module [3].
- ▶ Place the control unit [8] in the plinth area.

INFO Position the plinth fan and the control unit in such a way that they are easily accessible and removable for maintenance work.

- The maximum exhaust air duct length is 6 m.
- The minimum cross-section of the air ducts must be 176 cm². This corresponds to a round pipe with a diameter of 150 mm.
- For the ducting, only use stable duct elements with smooth pipe interiors. Do not use flexible or fabric tubes.
- The exhaust air must be directed outside or to the recirculation unit through appropriate ducts.
- For further planning examples and notices, please see the ventilation handbook (not included in the scope of delivery).

Installing the additional fan

- ▶ Install the additional fan in the exhaust duct.
- ▶ Ensure that a minimum clearance of 300 cm is maintained between the fan units.
- ▶ Only use BORA universal fans with your BORA cooktop extractor system.

Operating the cooktop extractor with a fireplace that depends on the air in the room

INFO National and regional laws and regulations must be observed with regard to the exhaust duct design. A sufficient air supply must be ensured.

Fireplaces that depend on the air in the room (e.g. gas, oil, wood or coal-fired heaters, continuous-flow water heaters, instantaneous water heaters) draw in air from the room in which they are installed and release the exhaust fumes into the outside air via an exhaust system (e.g. chimney).

If the cooktop extractor is used in exhaust mode, it draws in air from the room in which it is installed as well as from neighbouring rooms. If the air supply is insufficient, low pressure will occur. Toxic gases could be drawn out of the chimney or extraction ducting and back into the room.

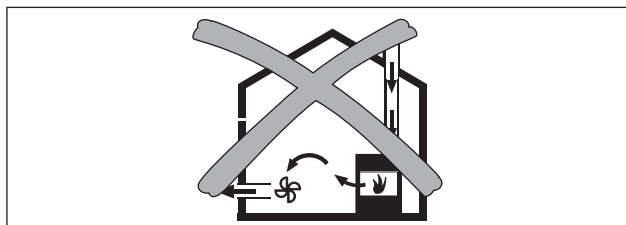


Fig. 6.24 Exhaust air installation – not permitted

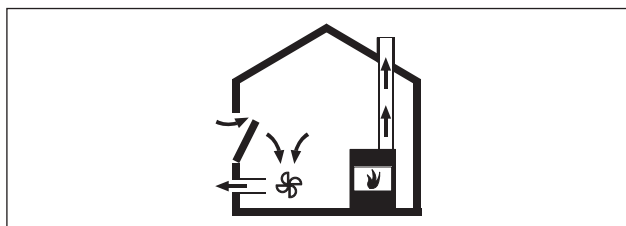


Fig. 6.25 Exhaust air installation – correct

- ▶ If simultaneously operating both a fireplace and the cooktop extractor in the same room, ensure that:
 - the maximum low pressure is 4 Pa (4×10^{-5} bar);
 - a safety device (e.g. window contact switch, low pressure warning device) is used to ensure that a sufficient supply of fresh air is guaranteed;
 - the exhaust air is not be ducted into a chimney that is used for exhaust gases of devices operated with gas or other combustibles;
 - the installation is checked and approved by an authorised certified engineer (e.g. heating engineer).

6.6 Establishing the power connection and communication

- ▶ Observe all safety and warning information (see the Safety section).
- ▶ Observe all national and regional laws and regulations as well as the supplementary regulations of the local utility companies.
- The plug for the power supply must be accessible following installation.
- If the power supply cable has been damaged this must be replaced.

Connecting the control unit and fan to the cooktop extractor

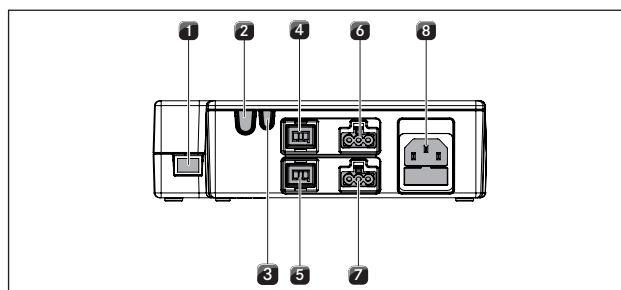


Fig. 6.26 Connections on the control unit

- [1] CAT 5 communication cable
- [2] Home Out
- [3] Home In
- [4] Fan 1 control line
- [5] Fan 2 control line
- [6] Fan 1 power supply cable
- [7] Fan 2 power supply cable
- [8] Power supply cable with microfuse

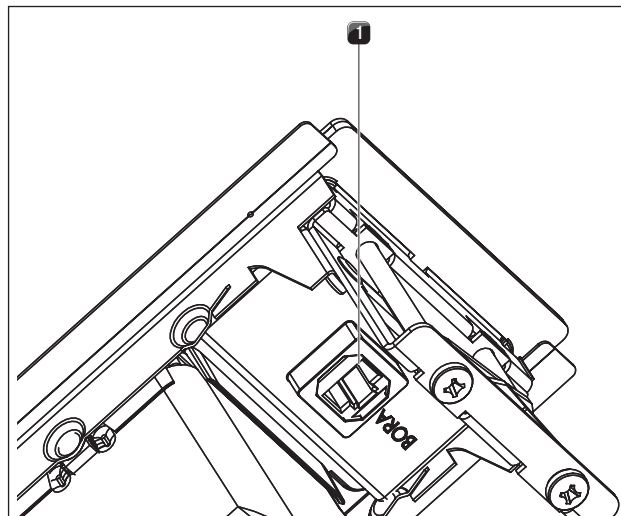


Fig. 6.27 CAT 5 communication cable connection

- ▶ Connect the CAT 5 communication cable between the cooktop extractor connection [1] and the control unit [1].

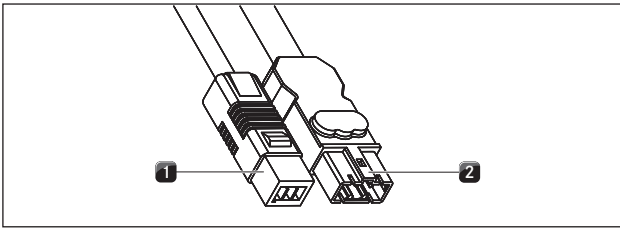


Fig. 6.28 Connection plug for the plinth fan

- [1] Connection plug for the plinth fan control line
 [2] Connection plug for the plinth fan power supply cable

- ▶ Connect the plinth fan's control line [1] to the control unit [4].
- ▶ Connect the plinth fan's power supply cable [2] to the control unit [6].

Release the power supply cable

To release the power supply cable [2] from the control unit [6] you need a small flathead screwdriver.

- ▶ Disconnect the control unit's power supply cable from the power supply [8].
- ▶ Make sure that there is no power to the appliance.
- ▶ Use the flathead screwdriver to loosen the lock on the power supply cable's plug.
- ▶ To do this, insert the flathead screwdriver into the gap in the socket.
- ▶ Press the lock down gently.
- ▶ Use the flathead screwdriver to gently lever the power supply cable's plug out of the control unit's socket.
- ▶ Now disconnect the power supply cable from the socket.
- ▶ Check the plug and the socket for damage.
- ▶ Do not use damaged components.
- ▶ Contact your BORA specialist supplier to replace any damaged components.

Connecting an additional fan

- ▶ Connect the fan's control line [1] to the control unit [5].
- ▶ Connect the fan's power supply cable [2] to the control unit [7].
- ▶ Check all the plug connections to ensure that they are secure.

6.7 Connecting external switch contacts

INFO The Home In and Home Out communication connections must only be connected by a certified specialist. The specialist also assumes responsibility for the proper installation and commissioning.

When using Home In and Home Out, you will require the relevant documents for the external switching devices in order to ensure safe device connection and operation.

The following switch contacts can be used:

Contact	Function	Connection
Home In	Cooktop extractor on/off connection for external switch contact (contact closed: cooktop extractor on)	24V DC 100 mA
Home Out	Electrically isolated contact for controlling external devices depending on the operating status of the cooktop extractor (cooktop extractor on: contact closed)	Maximum 250 VAC/ 30 VDC, 2.5 A

Tab. 6.4 Switch contacts

INFO The Home In contact can be used for external safety devices (e.g. window contact switches). If the switch is open, the cooktop extractor is out of operation.

- ▶ Ensure that the control unit is disconnected from the power supply.

Preparing the universal control unit

- ▶ Remove the screws from the control unit.
- ▶ Lift up the cover.

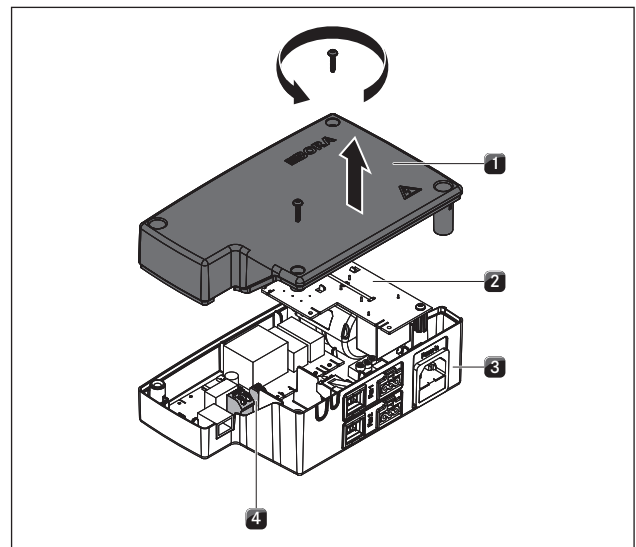


Fig. 6.29 Open the control unit's cover

- [1] Cover
 [2] Electronic unit
 [3] Base unit
 [4] Switch contact clamp

INFO The electronic unit [2] can contain residual charge. You must therefore be careful not to touch the exposed contacts on the electronic unit!

Preparing connection cables for external switching devices

Use connection cables of the following types and from the following manufacturer to connect external switching devices.

Contact	Connection cable
Home In	H03VV-F 2x0.5mm ²
Home Out	H03VVH2-F 2x0.75mm ²

Tab. 6.5 Connection cable

INFO The connection cable is only designed for indoor use in buildings, private households, kitchens or offices!

INFO The overall length of the connection cable for external switching devices must not exceed 10 m!

For reasons of electromagnetic compatibility, all connection cables from external switching devices must be filtered with a ferrite sleeve. This is not included in the scope of delivery.

- ▶ Use the order code UFH (universal filter sleeve) to order the filter sleeve from your specialist supplier or contact BORA via the website at www.bora.com.

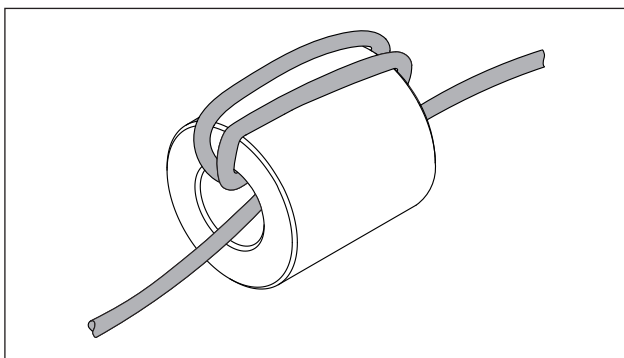


Fig. 6.30 Wrap the connection cable around the ferrite sleeve three times

- ▶ Wrap the connection cable around the ferrite sleeve three times to create the desired filter performance.
- ▶ Ensure that the cable end protrudes at least 120 mm from the sleeve.
- ▶ Prepare the connection cable in accordance with the prescribed stripping lengths.

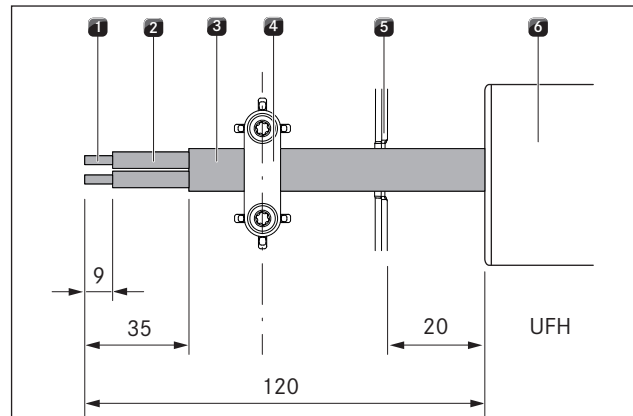


Fig. 6.31 Stripping lengths and assembly position of the connection cable in the control unit

- [1] Stripped wire end
- [2] Insulated wire
- [3] Jacketed cable
- [4] Strain relief clamp
- [5] Cable feed snap-out element
- [6] Universal ferrite sleeve (UFH)

- Please adhere to the maximum stripping length of 9 mm on the stripped wire end [1].
- Please adhere to the maximum stripping length of 26 mm on the insulated wire [2].

Installing the external switching device

Depending on the type of switching device, connect the connection cables to either the Home In or the Home Out connection clamp.

- ▶ Adhere to the connection diagram when connecting Home In and Home Out.

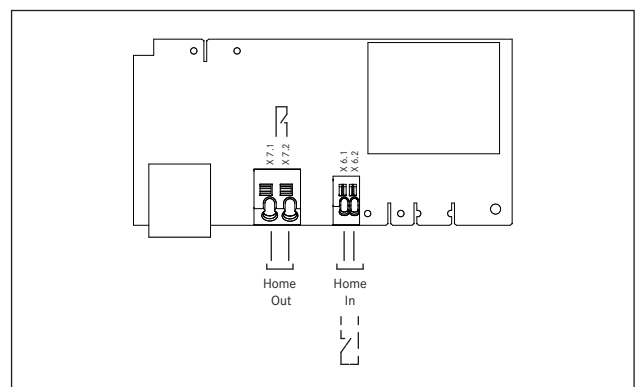


Fig. 6.32 Connection diagram for the external switch contacts

- ▶ Connect the cable for the relevant contact to the switch contact clamp [4] in accordance with the relevant connection diagram (see fig. Connection diagram for the external switch contacts).
- In order to connect the Home In interface, the installed bridge must be removed.

INFO The Home In contact must be bridged if this is not used (bridged on delivery).

- For connections to the Home In connection clamp, no ferrules may be used.
- ▶ Clamp the connection cable in the strain relief clamp [4] in accordance with the wire cross section used.

INFO If external switching devices are connected both to the Home In and Home Out interfaces, both cables should be secured with the strain relief clamp [4].

- ▶ Remove the relevant snap-out element [2] in the plastic housing of the control unit.

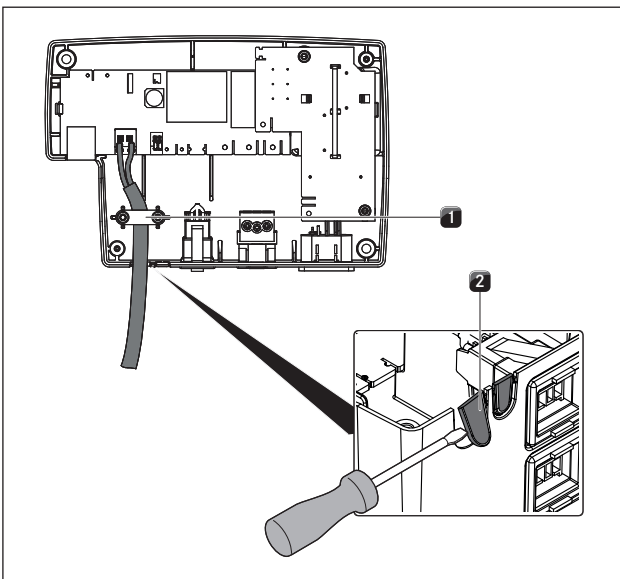


Fig. 6.33 Home Out contacts with strain relief

- [1] Strain relief clamp
- [2] Snap-out element for cable feed

- ▶ Check that the connection cables have been correctly installed and securely connected.
- ▶ Close the cover on the control unit.
- ▶ Make sure that the cable is not damaged.
- ▶ Switch on the main switch/automatic circuit breaker.

Establishing the power connection

- ▶ Connect the power supply cable for the control unit to the power supply.
- ▶ Put the cooktop extractor into operation (see the Operation section).
- ▶ Check that all the functions are working correctly.

6.8 Handover to user

Once installation is complete:

- ▶ Explain the main functions to the user.
- ▶ Explain all safety-related aspects of operation and handling to the user.
- ▶ Provide the user with the accessories and operating and installation instructions for safe storage.

7 Operation

- ▶ Observe all safety and warning information during operation (see the Safety section).

INFO The cooktop extractor should only be operated with BORA cooktops.

INFO Only switch on the cooktop extractor if one of the two cover plates is open.

INFO The cooktop extractor should only be operated when the stainless steel grease filter is installed.

INFO When using two gas cooktops, we recommend using two additional cover plates. You can obtain these from your specialist supplier or by contacting BORA via the website www.bora.com.

7.1 Operating the cooktop extractor

Recommendations for efficient vapour extraction

- ▶ Always use a lid on pots, particularly those that are high. This ensures effective vapour extraction. It also reduces power consumption.
- ▶ Only operate the cooktop extractor at the minimum power level required for effective vapour extraction. This makes it possible to improve the performance of the odour filters in recirculation mode.
- ▶ Only operate the hob at the minimum power level required for cooking. This reduces cooking vapours and power consumption.
- ▶ Avoid strong drafts.

7.1.1 Opening the cover plates

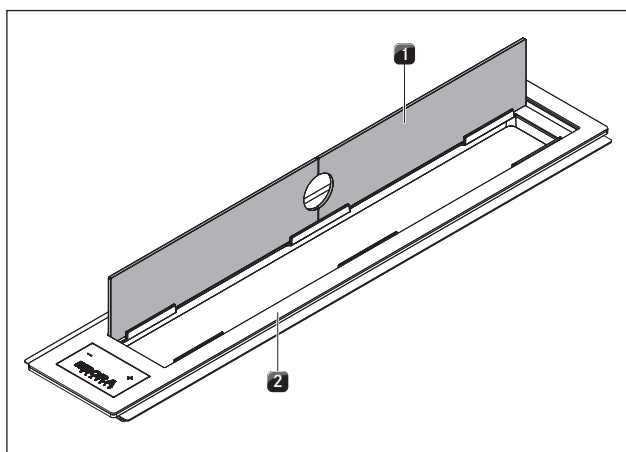


Fig. 7.1 Using the cover plates

[1] Cover plates

[2] Cooktop extractor frame

- ▶ Remove the cover plates [1] from the cooktop extractor frame [2].
- ▶ Store the cover plates in the side guide groove on the cooktop extractor frame.
- ▶ When using multiple hobs, remove the cover plates from the cooktop extractor frame.
- ▶ When using a gas cooktop, use the cover plates as an air baffle to prevent any burner flame delay.
- ▶ For this purpose, insert the cover plates into the side guide groove on the side of the cooktop extractor frame facing the gas cooktop.

Switching on

- ▶ Use your finger to press the **+** or **-** button for approx. 2 seconds to switch on the cooktop extractor.

□ is shown in the fan display. In case of no further input, the cooktop extractor will switch off automatically after about 10 seconds.

Switching off

- ▶ Use your finger to press the **+** or **-** button to switch off the cooktop extractor.
- ▶ Press **+** or **-** several times until the fan indicator □ is displayed.
- If the fan indicator displays □, the cooktop extractor is switched off automatically after 5 seconds.

7.1.2 Adjusting the power level

- ▶ Press **+** to increase the power level from level 1 to level 5.
- ▶ Press **-** to reduce the power level from level 5 to level 0.

7.1.3 Automatic after-run

Activation

- ▶ Press the **-** button until the power level *n* is displayed for automatic after-run.
- ▶ While the device is on, simultaneously press the **+** and **-** buttons until the automatic after-run *n* is displayed.
- The cooktop extractor switches off automatically after 20 minutes.

Early deactivation

- ▶ Press the **-** button until the fan indicator □ is displayed.

7.2 Pay attention to the filter service display

If F appears on the fan display, this means the service life of the activated charcoal filter has expired (with recirculation only) and the stainless steel grease filter needs to be thoroughly cleaned.

- ▶ Press the $+$ or $-$ button to set the desired power level and switch to the normal operating mode.

Changing the filter

- ▶ Switch off the cooktop extractor.
- ▶ Observe all the information provided in the Cleaning section.
- ▶ Replace the activated charcoal filter.
- ▶ Clean the stainless steel grease filter.

Resetting the filter service display

If the activated charcoal filter has been replaced and the stainless steel grease filter has been cleaned, it will be necessary to reset the filter service display.

- ▶ Switch off the cooktop extractor.
- F is displayed in the fan indicator.
- ▶ Simultaneously press $+$ and $-$ for at least 5 seconds until a \square is permanently displayed in the fan indicator.
- The filter service display has been reset.
- The filter service display can only be reset if a filter service is due after 200 operating hours.

7.2.1 Closing the cover plates

- ▶ After switching off the cooktop extractor, close it with the two cover plates.

8 Cleaning and Maintenance

- Observe all safety and warning information (see the Safety section).

INFO Clean the stainless steel surfaces in the polishing direction only.

- Regular cleaning and maintenance ensures the longevity of the product and optimal function.
- Adhere to the following cleaning and maintenance cycles:

Component	Cleaning cycle
Cooktop extractor interior and surface	After cooking very greasy dishes; at least once a week
Cover plates and stainless steel grease filter	After cooking very greasy dishes; at least once a week
Activated charcoal filter (with recirculation only)	Replace if odours have built up or the service life has expired (see the operating instructions for the activated charcoal filter)

Tab. 8.1 Cleaning cycles

8.1 Cleaning agents

INFO Due to the use of aggressive cleaning agents and abrasion caused by the pot bases the surface will become damaged and dark stains will occur.

- Never use steam cleaners, abrasive sponges, scouring pads or chemically aggressive cleaning agents (e.g. oven cleaner spray).
- Make sure that the cleaning agent does not contain any sand, soda, acids, lyes or chloride.

8.2 Cleaning the cooktop extractor

Grease particles and limescale residues from cooking vapours can settle on the surface and in the extraction system.

- Make sure that the cooktop extractor is switched off (see the Operation section).
- Remove the cover plates and stainless steel grease filter prior to cleaning.
- Clean the cooktop extractor in accordance with the cleaning cycles.
- Clean the surfaces using a soft, damp cloth, detergent or a mild window cleaning agent.

- Soften dried on dirt using a damp cloth (do not scrape it off!).

8.2.1 Removing the cover plates and the stainless steel grease filter

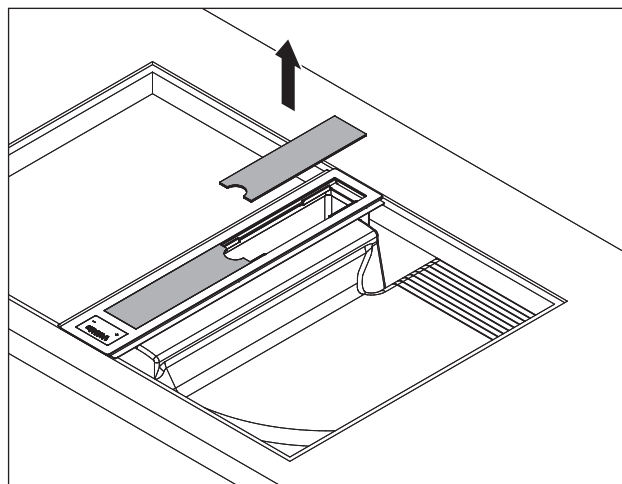


Fig. 8.1 Removing the cover plates

- Lift the cover plates off upwards.

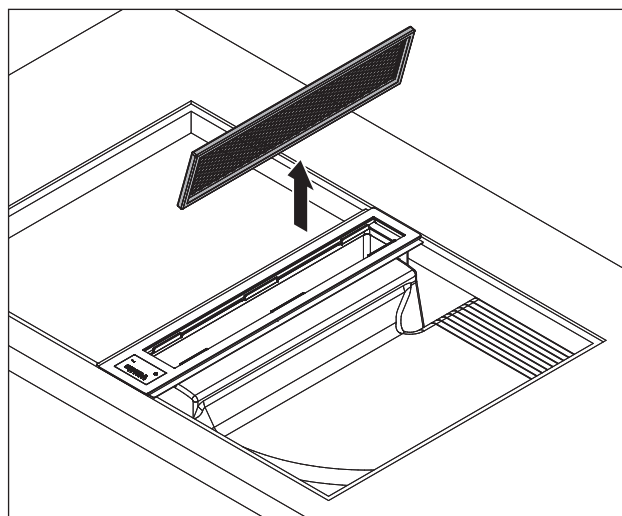


Fig. 8.2 Removing the stainless steel grease filter

- Reach into the opening in the cooktop extractor and remove the stainless steel grease filter.

8.2.2 Cleaning the cover plates and the stainless steel grease filter

- The cover plates and stainless steel grease filter can be cleaned manually or in the dishwasher.

Manual cleaning

- Use a detergent with a degreasing agent.
- Rinse the cover plates and stainless steel grease filter with hot water.
- Clean the cover plates and stainless steel grease filter with a soft brush.
- Rinse the components thoroughly after cleaning.

Cleaning in the dishwasher

- ▶ Rinse the cover plates and stainless steel grease filter with a rinsing program at maximum 65 °C.
- The stainless steel grease filter absorbs the greasy particles from cooking vapours.
- If it is no longer possible to clean the stainless steel grease filter completely, it must be replaced.

8.2.3 Installing the cover plates and stainless steel grease filter

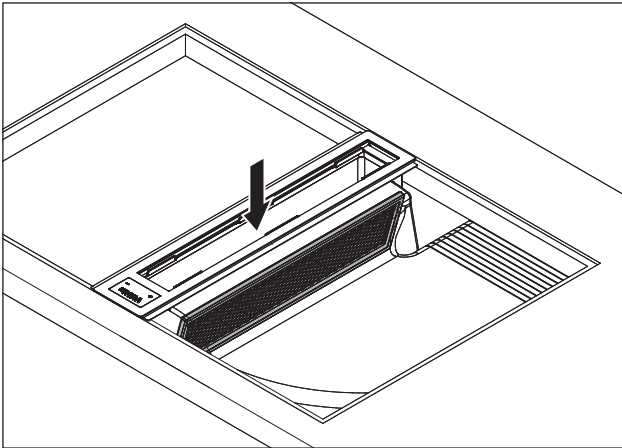


Fig. 8.3 Inserting the stainless steel grease filter

- ▶ Insert the stainless steel grease filter into the opening in the cooktop extractor.
- ▶ Ensure that the stainless steel grease filter is positioned in the gap in the cooktop extractor housing; it does not need to be locked into place.

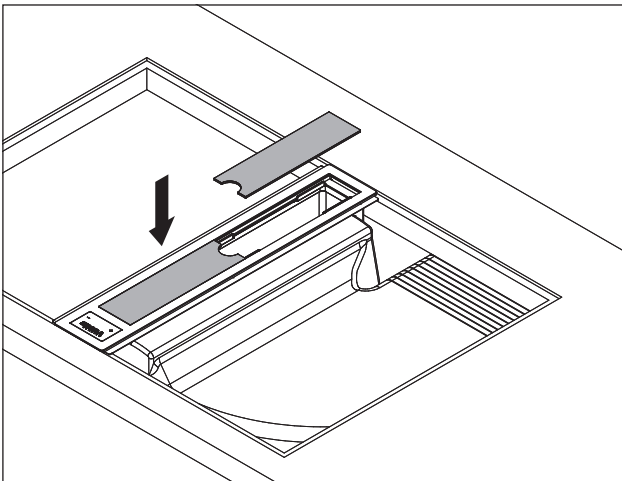


Fig. 8.4 Inserting the cover plates

- ▶ Insert the cover plates.

8.3 Replacing the activated charcoal filter

In recirculation mode, an additional activated charcoal filter is used. The activated charcoal filter absorbs cooking odours. The activated charcoal filter is installed on the plinth fan or the duct system.

INFO Regularly replace the activated charcoal filter. The service life can be found in the operating instructions for the relevant activated charcoal filter.

INFO You can obtain activated charcoal filters from your specialist supplier or by contacting BORA via the website at www.bora.com.

- A description of how to replace the activated charcoal filter can be found in its operating instructions.
- ▶ Reset the filter service display (see the Device description section).

9 Troubleshooting

► Observe all safety and warning information (see the Safety section).

Operating situation	Cause	Remedy
The cooktop extractor cannot be switched on.	The fuse or automatic circuit breaker of the electrical wiring system in the apartment and/or house is defective.	Replace the fuse. Switch the automatic circuit breaker back on.
	The fuse or the automatic circuit breaker trips several times.	Call the BORA Service Team.
	The power supply is disconnected.	Have a specialist electrician inspect the power supply.
	The microfuse in the universal control unit's cooling device plug is defective.	Replace the fuse (type: T3, 15 A/250 V).
E flashes in the fan display for 5 seconds and the fan is switched off.	The Home-In contact is broken.	When using a window contact switch (safety device), the window must be open when the fan is operating.
	The safety device is defective.	Call the BORA Service Team.
Odours form when operating the cooktop extractor.	This is normal on brand-new appliances.	Odours stop forming after a few operating hours.
The extraction performance of the cooktop extractor has decreased.	The stainless steel grease filter is heavily soiled.	Clean or replace the stainless steel grease filter.
	The activated charcoal filter is heavily soiled (recirculation only).	Replace the activated charcoal filter.
	There is an object in the air guiding housing (e.g. cleaning cloth).	Remove the object.
	The fan is defective or a duct connection has become loose.	Call the BORA Service Team.

Tab. 9.1 Resolving a fault

► In all other instances, call the BORA Service Team (see the Warranty, service and spare parts chapter).

10 Decommissioning, disassembly and disposal

- ▶ Observe all safety and warning information (see the Safety section).
- ▶ Follow the enclosed manufacturer's information.

10.1 Decommissioning

Decommissioning is understood as final shutdown and disassembly. Following decommissioning, the device can either be installed into other units, sold on privately or disposed of.

INFO Electricity and gas connections may only be disconnected by qualified specialists.

- ▶ To decommission, switch the device off (see Operation section)
- ▶ Disconnect the device from the power supply.

10.2 Disassembly

For removal, the device must be accessible for disassembly and disconnected from the power supply. For gas devices, make sure the gas connection is disconnected.

- ▶ Undo the mounting brackets.
- ▶ Remove the silicone joints.
- ▶ Disconnect the device from the extractor duct.
- ▶ Remove the device from the worktop by lifting it upwards.
- ▶ Remove any other accessories.
- ▶ Dispose of the old device and any contaminated accessories as described under "Environmentally-friendly disposal".

10.3 Environmentally-friendly disposal

Disposal of transport packaging

INFO The packaging protects the device from damage in transport. The packaging materials have been selected from environmental and disposal perspectives and are therefore recyclable.

Returning the packaging to the materials cycle saves resources and reduces waste volumes. Your specialist supplier will take the packaging back.

- ▶ Give the packaging to your specialist supplier or
- ▶ Dispose of the packaging properly in line with local regulations.

Disposal of old appliance



Electrical devices marked with this label may not be disposed of in domestic waste at the end of their service life. They must be disposed of at a collection point for the recycling of old electrical or electronic devices. You can find information from your city or district council.

Many electrical and electronic devices still contain valuable materials. But they also contain damaging materials which were necessary for them to function properly and safely. These can damage human health or the environment if disposed of improperly or incorrectly handled.

- ▶ Never put your old appliance in domestic waste.
- ▶ Take the old appliance to a regional collection point for return and recycling electrical and electronic components and other materials.

11 Warranty, technical service, spare parts, accessories

- ▶ Observe all safety and warning information (see the Safety section).

11.1 Warranty

The warranty period is 2 years.

If you register at www.mybora.com/registration, the warranty period is extended to 3 years.

11.2 Service

BORA Service:

see back page of operation and installation instructions



- ▶ If there are faults which you are not able to resolve yourself, please contact your BORA specialist supplier or the BORA Service Team.

The BORA Service Team requires the type designation and the build number of your appliance (FD number). Both pieces of information can be found on the nameplate on the back of the instructions and on the appliance base.

11.3 Replacement parts

- ▶ Only use original spare parts for repairs.
- ▶ Repairs may only be carried out by the BORA Service Team.

INFO Replacement parts can be obtained from your BORA dealer, the BORA online service website at www.bora.com/service or by calling the service number provided.

11.4 Accessories

- CKAAB0 cover plate
- CKAEG air inlet grille
- UEF stainless steel grease filter
- UFH ferrite sleeve set
- Type I UNLI (AUS) power supply
- Type J UNLJ (CH) power supply
- Type G UNLG (GB-IE) power supply

Nameplate:
(please affix)

Germany:

BORA Lüftungstechnik GmbH
Rosenheimer Str. 33
83064 Raubling
Germany
T +49 (0) 8035 / 9840-0
F +49 (0) 8035 / 9840-300
info@bora.com
www.bora.com

Australia - New Zealand:

BORA APAC Pty Ltd
100 Victoria Road
Drummoyne NSW 2047
Australia
T +61 2 9719 2350
F +61 2 8076 3514
info@boraapac.com.au
www.bora-australia.com.au

Austria:

BORA Vertriebs GmbH & Co KG
Innstraße 1
6342 Niederndorf
Austria
T +43 (0) 5373 / 62250-0
F +43 (0) 5373 / 62250-90
mail@bora.com
www.bora.com

Europe:

BORA Holding GmbH
Innstraße 1
6342 Niederndorf
Austria
T +43 (0) 5373 / 62250-0
F +43 (0) 5373 / 62250-90
mail@bora.com
www.bora.com

