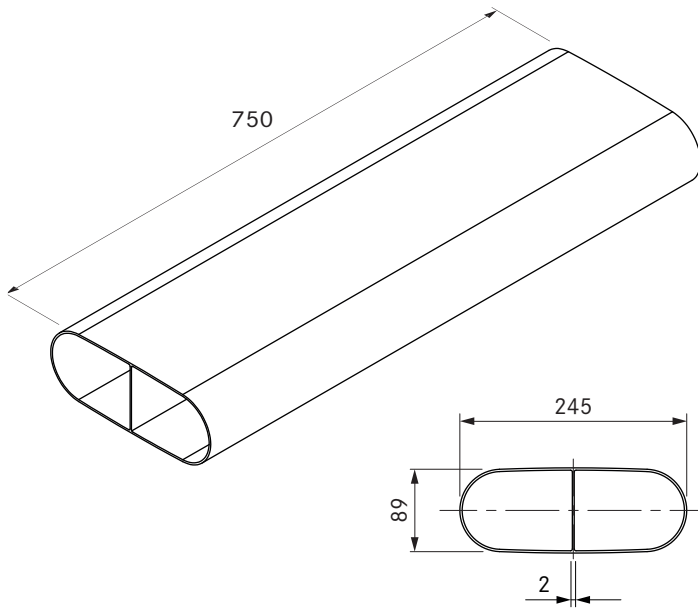


EFS750/1

Ecotube shallow duct with a bar 750mm

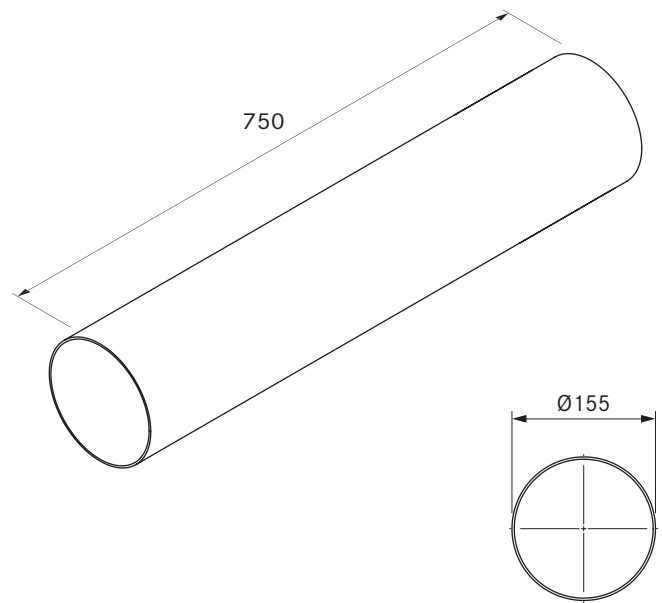


Technical data

Dimensions (width x depth x height)	245 x 750 x 89 mm
Weight	1.7 kg
Material property	C according to DIN EN 13501-1

ER750/1

Ecotube round duct, 750mm

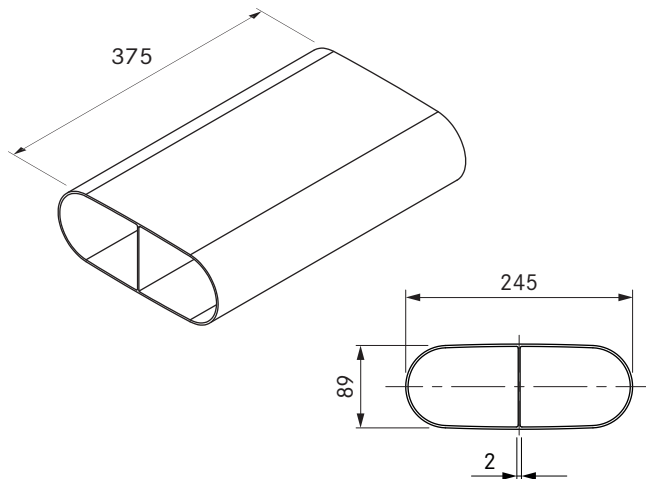


Technical data

Dimensions (diameter)	Ø 155 x 750 mm
Weight	1.6 kg
Material property	C according to DIN EN 13501-1

EFS375/1

Ecotube shallow duct with a bar 375mm

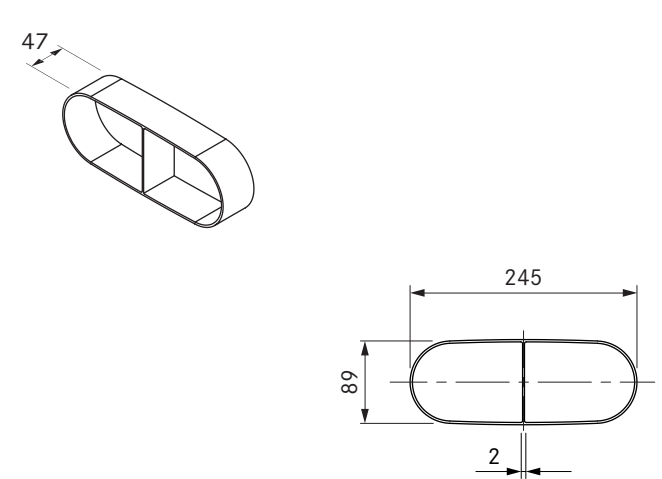


Technical data

Dimensions (width x depth x height)	245 x 375 x 89 mm
Weight	1,0 kg
Material property	C according to DIN EN 13501-1

EF47/1

Ecotube shallow duct 47mm



Technical data

Dimensions (width x depth x height)	245 x 47 x 89 mm
Weight	0.12 kg
Material property	C according to DIN EN 13501-1

Product- and planning instructions

- Shallow duct for direct connection of two shallow Ecotube sockets