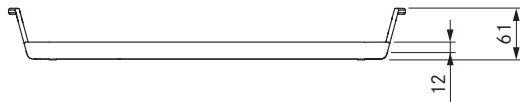
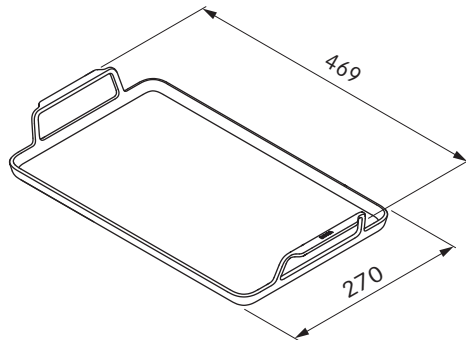


KWGPFI

Surface induction grill pan



Technical data

Dimensions (width x depth x height)	469 x 270 x 61 mm
Heat resistance	250 °C
Material	Aluminium
Coating	DURIT-Resist™
Weight	2,6 kg
Capacity	1,2 l

Product description

- Optimally designed for BORA surface induction cooktops from a technical point of view
- Simple to clean and easy to remove food remnants thanks to high-quality non-stick coating
- Silicone base pads prevent the glass ceramic from getting scratched
- Compatible with BORA X BO and ovenproof up to 250°C
- Minimalistic design

Scope of delivery

- Surface induction grill pan KWGPFI
- 4 x silicone feet (pre-assembled)
- Instructions for use

Accessories

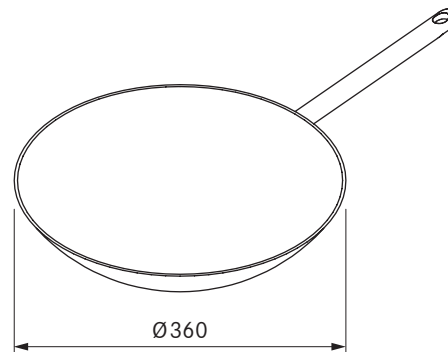
- Silicone feet grill pan (4 pieces) KWGPSF

Product- and planning instructions

- To extend the service life of the non-stick coating, cleaning by hand is recommended. The grill pan can be cleaned in the dishwasher.

HIW1

Induction wok pan



Technical data

Dimensions (diameter)	Ø 360 mm
Material	Multi-layer material up to the edge with special coating
Surface material	Silvinox®
Capacity	Approx. 6 l

Product description

- Induction possible
- Multi-layer material with special alloy
- Handle made of high-quality stainless steel
- matching accessories

Scope of delivery

- HIW1 BORA induction wok