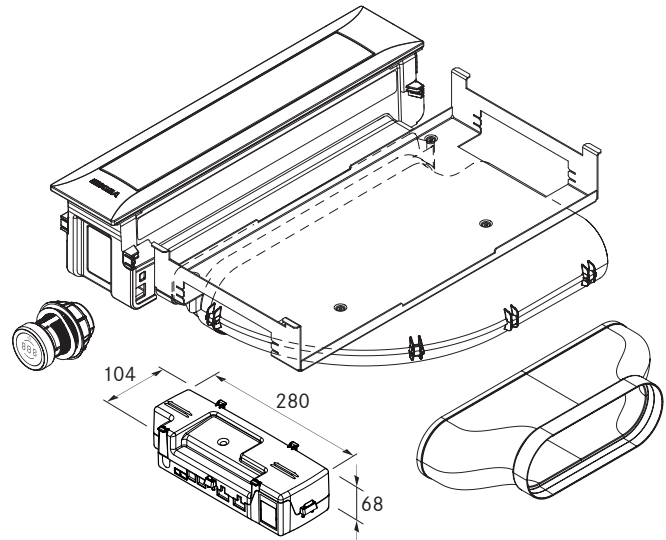
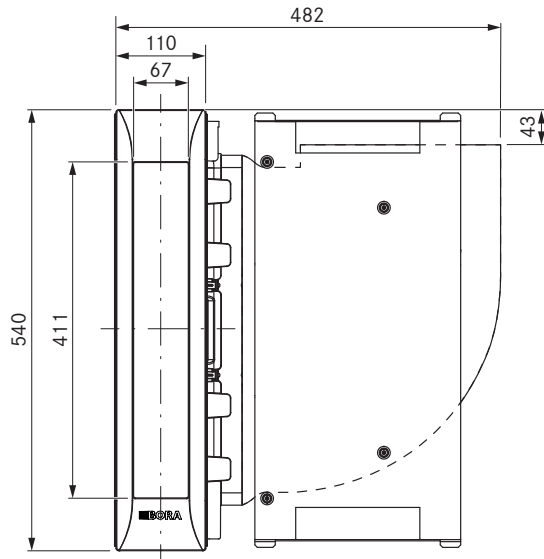
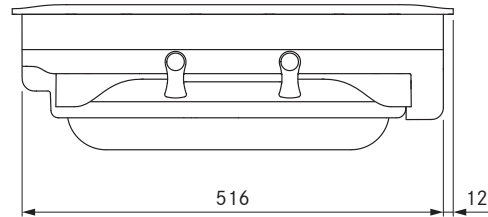
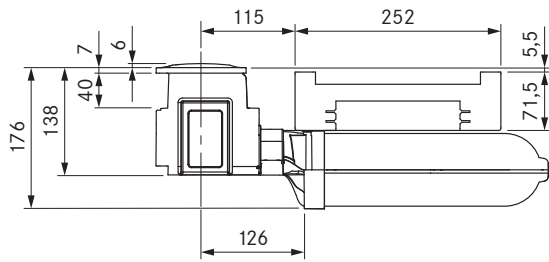


PKA3 / PKA3AB



Pro cooktop extractor
Pro cooktop extractor All Black



Technical data

| | |
|--------------------------------------|------------------------|
| Supply voltage | 220 - 240 V |
| Frequency | 50/60 Hz |
| Maximum power consumption | 550 W |
| Power supply cable length | 2 m |
| Dimensions (width x depth x height) | 482 x 540 x 176 mm |
| Weight (incl. accessories/packaging) | 9.25 kg |
| Surface material | stainless steel 1.4016 |
| Cooktop extractor power levels | 1 - 9, P |
| duct connection | BORA Ecotube |

Product description

- Intuitive control knob
- Automatic cover flap
- Premium design
- Minimum volume
- Simple cleaning
- Integrated grease drip pan
- Genuine stainless steel grease filter
- Modular system
- Automatic extractor control
- Demo mode

Scope of delivery

- Cooktop extractor PKA3 / PKA3AB with integrated 90° bend
- Straight duct element (Moulded part with a shallow sleeve form)
- Control knob
- cover flap
- stainless steel grease filter
- Filter tray
- Maintenance tray
- CAT 5 communication cable
- Universal control unit
- connection cable for the control knob
- operating and installation instructions
- height adjustment plate set
- Mounting clamps
- Power supply cable with type E + F plugs
- Ecotube seal flat EFD

Accessories

- PKA1FF stainless steel grease filter
- PKA1VK / PKA1VKAB cover flap
- PKA1FW filter tray
- UNLI type I power supply cable (AUS)
- UNLJ type J power supply cable (CH)
- UNLG type G power supply cable (GB-IE)
- UNLB type B power supply cable (PH)
- UNLH type H power supply cable (IL)

Product- and planning instructions

- Suitable for use as a recirculation or exhaust system
- Compatible with all BORA Professional 3.0 cooktops and BORA Universal fan modules
- Use of an additional fan module is possible for very long or complex exhaust air channels
- The worktop height can be adjusted as necessary
- Worktop depth: ≥ 700 mm (in conjunction with the straight duct element ≥ 650 mm)
- Airflow possible to the right or left
- Fan can be positioned in the plinth area as a result of the low installation height (100 mm) (when using the ULS plinth fan only)
- Installation type: flush or surface-mounted
- Universal control unit as central connection point can be simply and compactly positioned in the plinth area
- The extractor and Universal control unit are connected by a CAT 5 communication cable
- The drawers and/or shelves in the floor unit must be removable for maintenance and cleaning purposes
- The BORA Ecotube duct system is optimally tailored to the BORA cooktop extractors and guarantees 100% functionality and optimum performance
- The Professional cooktop extractor system can be combined with all BORA sockets